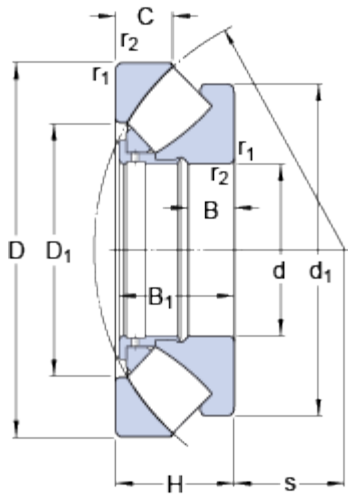


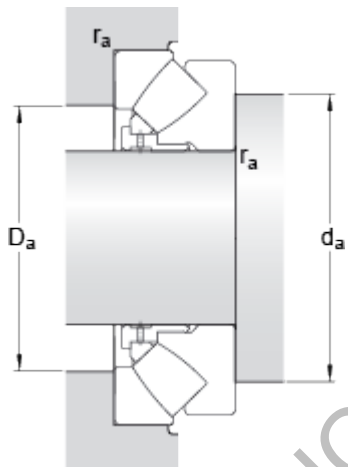
294/850 EF

Dimensions



d	850	mm
D	1440	mm
H	354	mm
d_1	≈ 1315	mm
D_1	≈ 1077	mm
B	142	mm
B_1	342	mm
C	172	mm
s	507	mm
$r_{1,2}$	min. 15	mm

Abutment dimensions



d_a	min. 1160	mm
D_a	max. 1270	mm
r_a	max. 12	mm

Calculation data

Basic dynamic load rating	C	23900	kN
Basic static load rating	C_0	108000	kN
Fatigue load limit	P_u	7100	kN
Reference speed		170	r/min
Limiting speed		340	r/min
Minimum axial load factor	A	1100	

Mass

Mass bearing		2390	kg
--------------	--	------	----